

ARTOME M10



General specs

Name	Artome M10
Materials	Birch plywood, MDF, steel, aluminum, polyester fabric
Dimensions	(W x H x D) 20.5" x 33.9" x 18.7"
Frame color options	White (Default), Black
Door color	Black (Default)
Weight (excl. projector)	84 lb
Warranty	24 months (option to extend up to 60 months)*

Technical specs

Power inlet	100–120V~ 50/60Hz, 6A (fused)
Power outlet	100–120V~ 50/60Hz, 1.5A
Power consumption (excl. projector)	75W
Sound	2.1-speaker system. Max. SPL 99 dB @ 3.28ft
Operating temperature	32-86 °F
19" rack	3U x 11.3" (depth)
Controls	Power, Source, Vol +/-, AV Mute, Freeze, Mic gain
Bluetooth Remote	Yes
Artome Connect App Compatible	Yes
Automatic Projector Provisioning	Yes

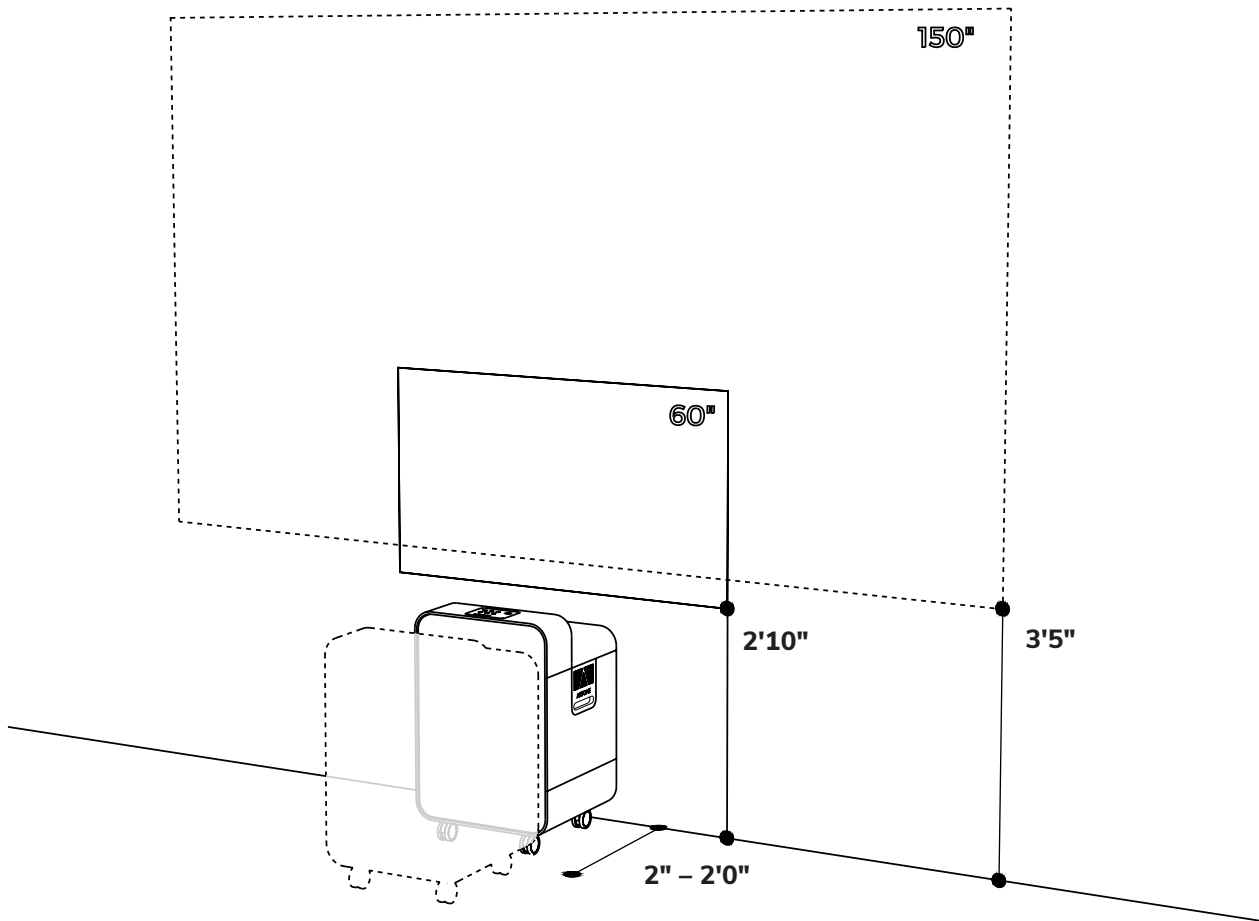
Connections

Front panel	HDMI, USB-B, USB-A (5V=1A), 2 x XLR Mic in with Level Control 2 x XLR out, Power outlet (100-120V~ 50/60Hz, 1.5A)
Back panel	HDMI, AUX in, 2 x Customizable passthrough slots for D-type connectors
Top panel	1 x USB-A (5V=1A)
Projector	All unused connectors can be accessed

Projector specs

Compatible projectors	Epson Powerlite 800F / EB-805F
Brightness	5000 lm
Power consumption	366W
Resolution	Full HD
Recommended image size	60-150"
Weight	20.7 lb





1. Control panel
2. Speakers
3. Projector
4. Door
5. Fan
6. Lifting handle
7. Rear connection panel
8. Power connector
9. Door lock
10. Subwoofer
11. 19" rack
12. Connection panel
13. Cable space
14. Casters
15. Cable grommet

